



PM-1 Kit, PM-2 Kit & More Parts To fit the Sterrad 100S, 100NX & NX

By Phil Goldstein, RPI Product Development

Back in August, 2016, RPI captivated the medical equipment repair industry with our introduction of Planned Maintenance Kits to fit Sterrad hydrogen peroxide/plasma sterilizers. And along the way, we made some adjustments to the original Kits to make the Kits even better.

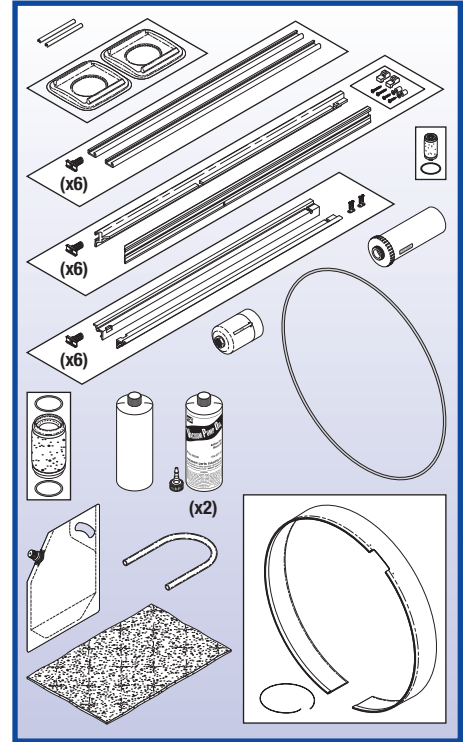
So just take a look at what we have now, in stock and ready to ship!

100S Model. Let's start with the Kits we have to fit the Sterrad **100S model**. Available is a semi-annual PM-1 Kit (RPI Part #SDK020) which is primarily an oil and oil mist filter change kit. Also available is the annual PM-2 Kit (RPI Part #SDK060)

including a filter, chamber/door seal, catalytic converter, lower and upper shelf supports, vaporizer plates, electrode extender, shelf (extrusion) handle, and guide rails as well. Don't forget that the parts in these kits are all also sold separately.

NX Model. There are more new parts and kits from RPI to fit Sterrad **NX model** as well, but let's take a moment to discuss the pump that the NX model uses. The NX model could have either an Adixen Pfeiffer pump or a Leybold pump installed.

Aside from the actual mechanics of these pumps, the only difference with
Continued on the back page



RPI Part #SDK060
PM-2 Kit - Fits Sterrad 100S Model

A New Line of Parts to fit Medivators® Endoscope Reprocessing Units

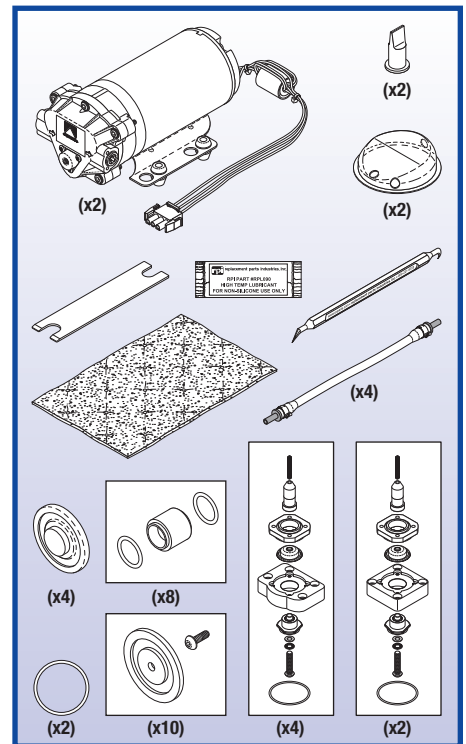
By Chris Jacobs and Phil Goldstein, RPI Product Development

At RPI, we have had many requests for parts to service Automated Endoscope Reprocessors (AER) over the last few years. We have responded and are proud to introduce a new line of parts to fit the Medivators endoscope reprocessing units.

The Medivators DSD-201® is a twin-basin endoscope reprocessor that uses alcohol, detergent and disinfectant to clean an assortment of medical scopes. RPI is introducing the annual Preventative Maintenance Kit (RPI Part #MTK009) which contains six of the 3/4" drain valve manifold repair kits, eight check valves for the mixing blocks, two alcohol and detergent valve seals, two of the disinfectant

pumps, ten of the air valve diaphragms, four of the peristaltic pump's tube sets, two of the basin sensor covers, two alcohol and detergent check valves, O-rings for the 3/4" drain valve manifold elbows, a low profile wrench, an O-ring removal tool, three absorbent pads and some high temp lubricant to help keep those O-rings in place. All parts are also sold separately in the event you need one as a repair part.

The Medivator DSD Edge® is Medivator's advanced version of the DSD-201 and utilizes a Single Shot Generator (SSG) dosing unit in place of High Level Disinfectant (HLD)
Continued on the back page



RPI Part #MTK009
Annual PM Kit - Fits Medivator DSD-201



Ira Lapides
CEO & President
Replacement Parts Industries, Inc.

FROM THE DESK OF THE PRESIDENT

After Almost Five Decades ... We are Moving To a New Location

As my mother states in her column on page 6, we are moving! After 44 years in and around our building in Chatsworth, California, we have finally outgrown our space and are moving to a larger building about 20 minutes from here.

The official timing of the move is not yet set, but it will likely take place sometime in June. The address of our new location is: 625 Cochran Street, Simi Valley, CA 93065, and our mailing address will be PO Box 940250, Simi Valley, CA 93094. Our phone numbers and fax numbers will remain the same. Keep an eye on our website for more updates!

One thing that has been really interesting for us over the past few weeks was rummaging through file cabinets, shelving, and archive storage to determine what to move and what needs to go to the shredder, scrap yard, or recycling. We have a lot of old equipment, including an Air-Shields



C-86 infant incubator, one of the first ever. We even have some shelves of old sterilizer carcasses like old Amsco Dynaclaves and Pelton HP's.

We found our first sales journals, which my mother kept by hand on old accounting grid paper. Our first order was October 13, 1972 for \$37.50 to Medi-Call, a local medical equipment repair company that originally helped us learn about the healthcare equipment repair field. They are still in business and still a great customer! Our first dental customer placed their order just two weeks later.

We have also kept copies of our original catalogs, newsletters, PM posters, and other marketing materials, along with trade show booth exhibits. We have a soda machine that is at least 40 years old that still works well, and hopefully will survive the move. And boxes and boxes of part samples and our original engineering prints, hand drawn, for so many of our parts that we made before the advent of AutoCad.

It will be a daunting task to move, but it has also been somewhat cleansing, and a great exercise to rummage through this building to find all of this great stuff. And now we move into a much larger building with more capacity to hold more stuff for many more years to come!



What It Means To You!

By Joan Woodlock
RPI ISO Management Representative

Since 2000, RPI has been an ISO 9001 certified company, and recently we were certified to the newest 2015 standards. We are proud of it, but then what does it mean to you?

Let's start with what ISO is. According to their website, "ISO is an independent, non-governmental international organization with a membership of 161 national standards bodies. Through its members, it brings together experts to share knowledge and develop voluntary, consensus-based, market relevant International Standards that support innovation and provide solutions to global challenges."

In a nutshell, ISO 9001:2015 sets out the criteria for a quality management system which is based on a number of quality management principles including a strong customer focus, the motivation and implication of top management, the process approach and continual improvement.

To ensure that we adhere to, and remain committed to the ISO standards, we conduct yearly internal audits, as well as undergo comprehensive recertification audits by an outside ISO sanctioned company.

Incorporating ISO 9001:2015 standards into RPI's solid business practices helps ensure that our customers get consistent, good quality products and services.

Basically, ISO standards compliment what RPI has prided itself on since we opened our doors almost 50 years ago – providing excellent service, quality parts, and great prices!



By Mark Micucci
RPI Product Development

Over the years, technicians have come to rely on the outer color of Wilkerson Coalescing filter elements to tell them what the Micron rating for that element was.

In the past, a Red colored filter element identified a Type C @ .01 Microns; and a White element meant a Type B @ 0.5 Microns. This color-coded information made it quite easy to identify at-a-glance.

However, Wilkerson no longer identifies the micron rating for their coalescing filter elements and exhaust silencers by the color of the anti-re-entrainment barrier.

All of their coalescing elements and exhaust silencers will now be manufactured with a white anti-re-entrainment barrier.

Technicians will now have to cross reference the Wilkerson Part Number that is stamped onto the base of these coalescing filter elements to know if a Type C @ .01 Microns, or a Type B @ 0.5 Microns is needed.

Well, Red is Dead ... When it comes to relying on the outer color of the Wilkerson Coalescing Filter Elements to ID Type and Microns

The RPI parts that are affected by this manufacturer's change are:

Coalescing Filter Elements:
CMK024, CMK025, CMK026,
CMK027, CME043, CME044,
& **Exhaust Silencer:** CMS128.

PM Kits:
CMK159, CMK160, CMK167,
CMK170, CMK171, CMK172,
CMK173, CMK185, CMK186,
CMK187, CMK167, CMK168,
CMK169, CMK161, CMK162,
CMK163, CMK164, CMK165,
CMK166, CMK158, CMK159,
CMK160, CMK155, CMK156,
CMK157, CMK188, CMK189,
CMK190, CMK174, CMK176
& CMK178

This only applies to Wilkerson Coalescing Filter Elements and Wilkerson Exhaust Silencers; other manufactures color codes stay the same.

Don't forget that RPI also carries quality generic equivalents to the Wilkerson brand for these applications.

Door Motor Assembly (RPI Part #MIA180) Returns After Redesign

By Neil Blagman
RPI Product Development

RPI's Door Motor Assembly (RPI Part #MIA180) has returned to stock after a major redesign. Back in 2017, RPI introduced our Door Motor Assembly (RPI Part #MIA180) to fit the new style Midmark M9/M11 UltraClaves (-020 and above). The Assembly was well received and sales were brisk. But we grew concerned by the percentage of these assemblies that were being returned because some of the Assemblies were failing shortly after installation. A review of the part was conducted along with a root cause analysis and the results indicated that the drive motor shaft installed in this assembly needed design changes, so we immediately got right on top of it – and redesigned it. Our newly redesigned Door Motor Assembly is now back in stock and ready to ship. We think you will be pleased with the redesign.

Quick Installation Tips Door Motor Assembly (RPI Part #MIA180)

- When installing the Connecting Rod into the Motor Cam, ensure that the bend in the rod is installed into the correct hole in the Cam – use the hole marked with a “9” for M9’s and the hole marked “11” for M11’s.
- Do not attempt to rotate the motor shaft by hand – the motor will automatically drive to the home position as soon as 120 VAC is applied to the motor.
- The mounting holes in the Door Motor Bracket are intentionally cut in an oval shape to allow for some adjustment in the final mounting position of the Motor Assembly.
- There is a door opening test within the diagnostic software found on the new style M9/M11 (-020 and above). The door opening test allows you to activate the door motor to ensure that the Door Motor Assembly is functioning and correctly aligned.

Isolation: The Uncooperative Component!

By Phil Goldstein, RPI Product Development

Isolating problems in a malfunctioning machine is half the battle a technician encounters during the troubleshooting stage of a repair. If you suspect an electrical component such as a motor, pump, or fan, and you would like to verify your suspicion, removing the component from the machine. Testing it with an isolated power source (variable AC transformer) such as a Variac®, will immediately confirm or disprove

whether or not the component is the problem. If the component works with an independent power supply then the problem lies within the machine and vice versa. If the component does not function independent of the machine, the component is probably at fault. When you need to apply voltage and you want to increase the voltage slowly and observe the effect, there is nothing better than a variable transformer.

WHAT'S NEW

The following new parts are now in stock,

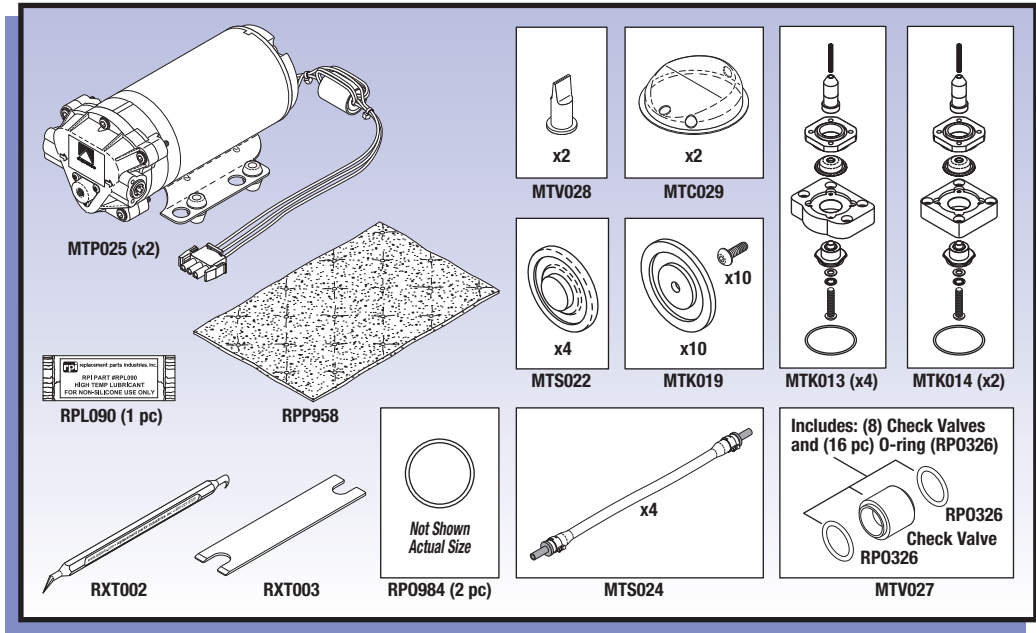


STERILIZERS – MINNTECH (MEDIVATORS)

New Line of Parts to fit Medivators® DSD-201® & DSD Edge® Automated Endoscope Reprocessors

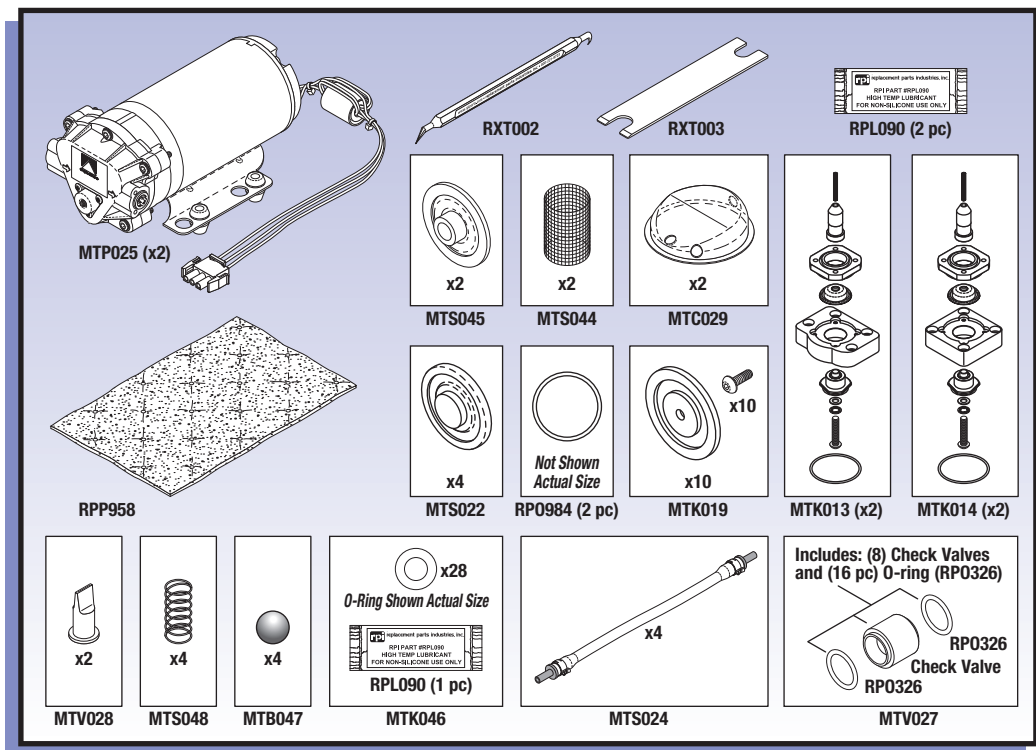
**FITS
DSD-201!**

PM KIT
RPI Part #MTK009
OEM Part #78400-722
Models: DSD-201



**FITS
DSD EDGE!**

PM KIT
RPI Part #MTK033
OEM Part #78401-176
Models: DSD Edge

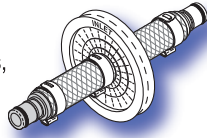


FROM RPI

ready to ship the day your order is received!

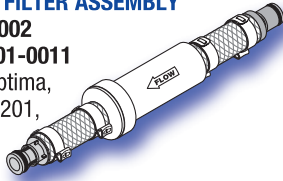
AIR FILTER ASSEMBLY

RPI Part #MTA001
OEM Part #MF01-0028
Models: Advantage Plus,
CER Optima, DSD-91E,
DSD-201, DSD Edge,
& SSD-102



DISINFECTANT FILTER ASSEMBLY

RPI Part #MTA002
OEM Part #MF01-0011
Models: CER Optima,
DSD-91E, DSD-201,
& SSD-102



FLOAT BALL

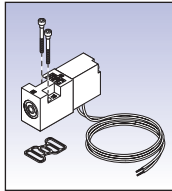
RPI Part #MTB047
OEM Part #47049-658 & 47049-416
Models: Advantage Plus & DSD Edge

COVER (BASIN SENSOR)

RPI Part #MTC029
OEM Part #MC13-0015
Models: DSD-201 & DSD Edge

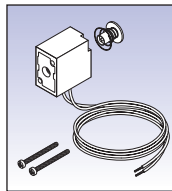
SOLENOID VALVE (MAC)

RPI Part #MTV030
OEM Part #41600-109
Models: DSD-201 &
DSD Edge



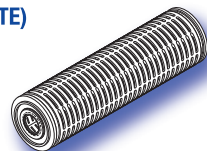
COIL

(SOLENOID VALVE - MAC)
RPI Part #MTC032
OEM Part #
(No OEM Part # Available)
Models: DSD-201 &
DSD Edge



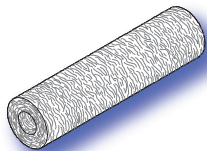
PREFILTER CARTRIDGE (0.45 MICRON ABSOLUTE)

RPI Part #MTF004
OEM Part #MF01-0015
Models: DSD-91E,
DSD-201, DSD Edge,
& SSD-102



PREFILTER (1 MICRON)

RPI Part #MTF005
OEM Part #MF01-0014
Models: CER Optima,
DSD-91E, DSD-201,
DSD Edge, & SSD-102



BASIN VALVE REBUILD KIT

RPI Part #MTK012
OEM Part #78400-660
Models: DSD-201

VALVE REBUILD KIT (DRAIN/RETURN)

RPI Part #MTK013
OEM Part #78400-658
Models: DSD-201 & DSD Edge

VALVE REBUILD KIT (OVERFLOW)

RPI Part #MTK014
OEM Part #78400-659
Models: DSD-201 & DSD Edge

AIR VALVE DIAPHRAGM KIT

RPI Part #MTK019
OEM Part #78401-261/78398-538
Models: DSD-201 & DSD Edge

O-RING KIT

RPI Part #MTK046
OEM Part #43100-302
Models: Advantage Plus & DSD Edge

PUMP (DISINFECTANT)

RPI Part #MTP025
OEM Part #78400-689
Models: DSD-201 & DSD Edge

VALVE SEAL (ALCOHOL AND DETERGENT)

RPI Part #MTS022
OEM Part #MV01-0035
Models: DSD-201 & DSD Edge



PERISTALTIC PUMP TUBING SET

RPI Part #MTS024
OEM Part #MT010-0500
Models: DSD-201 & DSD Edge

STRAINER

RPI Part #MTS044
OEM Part #43100-254
Models: DSD Edge

SEAL (SAMPLE PORT)

RPI Part #MTS045
OEM Part #41013-001
Models: DSD Edge

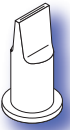


SPRING

RPI Part #MTS048
OEM Part #47049-415
Models: Advantage Plus & DSD Edge

CHECK VALVE

RPI Part #MTV027
OEM Part #78401-260
Models: DSD-201 & DSD Edge



CHECK VALVE (ALCOHOL AND DETERGENT)

RPI Part #MTV028
OEM Part #MV01-0040
Models: Advantage Plus,
DSD-201 & DSD Edge

KWIK™ CLAMP (.59" - .67" DIA)

RPI Part #RXC021
OEM Part # (No OEM Part # Available)
Models: DSD-201 & DSD Edge

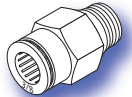


KWIK™ CLAMP (1.26" - 1.37" DIA)

RPI Part #RXC022
OEM Part # (No OEM Part # Available)
Models: DSD-201 & DSD Edge

MALE CONNECTOR

(3/8" PUSH-IN x 1/4" MPT)
RPI Part #RXF012
OEM Part # (No OEM Part # Available)
Models: DSD-201 & DSD Edge

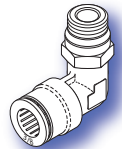


ELBOW FITTING (3/8" PUSH-IN x 1/8" MPT)

RPI Part #RXF013
OEM Part # (No OEM Part # Available)
Models: DSD-201 & DSD Edge

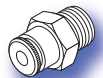
ELBOW FITTING (3/8" PUSH-IN x 1/4" MPT)

RPI Part #RXF014
OEM Part # (No OEM Part # Available)
Models: DSD-201 & DSD Edge



MALE CONNECTOR

(5/32" PUSH-IN x 1/8" MPT)
RPI Part #RXF015
OEM Part # (No OEM Part # Available)
Models: DSD-201 & DSD Edge



O-RING REMOVAL TOOL

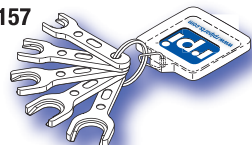
RPI Part #RXT002
OEM Part #47049-687
Models: DSD-201 & DSD Edge

WRENCH (LOW PROFILE)

RPI Part #RXT003
OEM Part #MW03-0002
Models: DSD-201 & DSD Edge

COLLET RELEASE WRENCH SET

RPI Part #RXT004
OEM Part #47049-157
Models: DSD-201
& DSD Edge





Sherry Lapidès
Vice President, Customer Relations
Replacement Parts Industries, Inc.

8 to 4
NO MORE

Now Comes the Fun Part, RPI is Moving Again!

Corisco Street is a three-block-long stretch in an industrial area in Chatsworth, a part of north-west Los Angeles.

RPI has been housed in three different buildings on this short street since 1974, two years after its founding.

We first subleased a small space from a larger company occupying part of a large space on the east end of Corisco. After a few years we moved into one unit of another building on the west end of Corisco, three blocks away.

A few years after that we broke through the concrete wall and expanded into a second unit of that building. We stayed there a few years until we outgrew the space there and moved into a mid-size stand-alone building in the middle block of Corisco.

We soon outgrew that space and moved back to the original building we had first been in in 1974. Over the past few years we have needed more and more space and have broken through walls of adjacent units until we now occupy the total footage of our first building on Corisco Street.

Now comes the fun part – RPI is moving again! This time we will be in a stand-alone 35,000 square foot building with double the space for our QC lab, separate conference and training rooms, about double the space for shipping and receiving, and a lot more warehouse space.

None of this changes our intention of continuing to give you the best possible parts and warranty, the best possible prices, the best possible service and technical support.

It is you, our loyal friends and customers (some still from 1972 and some second generation) who have made this possible and for that we will be forever grateful.

We look forward to meeting more of you in the coming years, making new friends and rekindling old friendships. We hope that whenever you are in Southern California you will give us a call and come by to see us. Our door is always open to you.

WANTED! REWARD OFFERED

MIDMARK® • RITTER® M9 & M11 OLD STYLE PC BOARDS

We need your used Midmark•Ritter M9 and M11 PC Boards to keep our PC Board program going strong. It's really quite simple! Just send us your used boards that are in reasonable condition*, and you'll get the "credit". That's right a \$100 or \$75 RPI Credit*! Contact RPI and we will send you a prepaid UPS shipping label, box, and static packaging material so you can send us your used boards - please read the "Fine Print"* below for complete details.

PC Board (RPI Part #MIB129) With the Green LED Display

Fits: Newer M9/M11 Model #'s 020-022

OEM Part #002-0762-00 (Serial #'s V2200 thru V1697649)

\$100 Credit with board and bracket in reasonable condition*

\$75 Credit with only the board in reasonable condition*

PC Board (RPI Part #MIB130)

With the Red LED Display – *Do not return the bracket*

Fits: Older M9 Model #'s 001-019 (Serial #'s CZ, DA, DB, DX, DY, FD & OM)

\$100 Credit with the board in reasonable condition*

PC Board (RPI Part #MIB131)

With the Red LED Display – *Do not return the bracket*

Fits: Older M11 Model #'s 001-019 (Serial #'s ES, ET, FP, FR & GB)

\$100 Credit with the board in reasonable condition*

**The Fine Print. Once the non-operational PC Board has been received by RPI, the condition of the board and brackets will be verified. PC boards eligible for credit must have their eproms, and boards must be in reasonable condition. No credit will be issued for PC Boards with burn holes, burnt traces, or bad burns; and no credit will be issued for brackets with rust. The 220 volt or "D" type boards are not eligible for a Credit.*

Also – keep your used newer RED-based colored PC Boards, we might offer a "reward" for these boards in the future.

WELCOME! ... to the RPI Family.

Danny, Miles, Megan and Jeremy, the newest members of the RPI Family. Danny Robles and Miles Ndife joined our Shipping and Warehouse team. Megan Lee is our newest Purchasing Assistant, and Jeremy MacLean is our new Purchasing Manager. Welcome to RPI's family.

How to Tell the Difference Between Sterrad NX Models ... It's all in the Pump!

By Jim Wisniewski, Manger, RPI Product Development

Just in case you were not aware ... the ASP Sterrad NX system has two pump variations that need to be identified before ordering the annual and semi-annual RPI PM Kits for these units. It is important that you know which pump is in the NX you are servicing so that you can order the correct RPI PM Kit. Basically, each of the pumps use a different kind of oil; and the Kits contain the oil specific for the pump installed. Please see below for a quick reference of which RPI PM Kits are can be used depending on the pump.

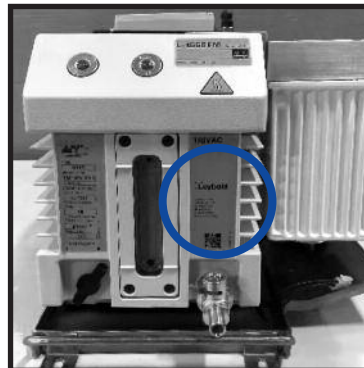
Sterrad NX Model with Adixen Pfeiffer Pump

Semi-annual PM-1 Kit (RPI Part #SDK004)
Annual PM-1 Kit (RPI Part #SDK003)

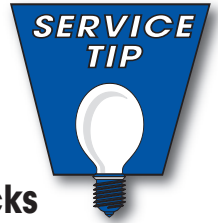


Sterrad NX Model with Leybold Pump

Semi-annual PM-1 Kit (RPI Part #SDK075)
Annual PM-2 Kit (RPI Part #SDK076)



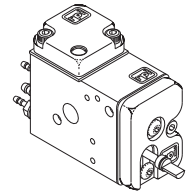
Introduction To Servicing The A-dec Handpiece Control Blocks



By Mark Micucci
RPI Product Development

RPI is proud to announce that another training aid has been added to RPI's ever growing list of Technical Support material on our website.

It's a power point presentation that covers the A-dec Century II, Century Plus and 500/300 series Handpiece Control Blocks. Step-by-step, troubleshooting guides and tech tips for each block are provided to ease you through the repair process.



RPI Part #ADK142
Control Block

Within this presentation you will find exploded view part identification drawings for all three blocks which have all the RPI Part Numbers listed, along with all the RPI control block kits that will aid you in your repair. You will also find information on how to adjust each of these blocks.

As an RPI added bonus there is a chart that identifies the A-dec color coded tubing, both how it is marked and where they are used.

You can download this Power Point or as a PDF file (to carry with you in your tool kit), just head over to our website, www.rpiparts.com, click **Tech Support > Technical Assistance Center > Tech Help Videos & More** and that will lead you to all the technical support videos, Power Point Presentations and PDF files that are available. Scroll down and click on the "Introduction to Servicing the A-dec Handpiece Control Blocks". Make a note to check this area often as RPI is always adding new tech help documents, tech aids and videos.

RPI Technical Support Info for Table Top Sterilizers ... On the RPI Website!

By Neil Blagman, RPI Product Development

Ever service tabletop sterilizers, or want to? If so, we have several Technical Support presentations dedicated to helping you ramp up your service skills and to help you develop the knowledge necessary to successfully service table top sterilizers.

Go to our website, www.rpiparts.com, click **Tech Support > Technical Assistance Center > Tech Help Videos & More** to find all of the presentations talked about below.

Get to know the differences between manually run sterilizers and electronically run sterilizers, and more in "Presenting Automatic vs. Manual Sterilizers". If you would like to know about the steps that are part of a Midmark UltraClave® sterilization cycle? Then check out "Presenting the Four Phases of the Run cycle on Newer Midmark M9/M11 Tabletop Sterilizers"—it even includes animated drawings showing the flow of water and steam within the sterilizer. Are you more of a movie fan – then see our video about rebuilding a Midmark UltraClave Valve Block – "Presenting the Disassembly of the Midmark M9/M11 Fill/Vent Solenoid Valve" where I demonstrate the entire process for you. Let us know how you like them.





replacement parts industries, inc.

"The Alternate Source®"

P.O. Box 5019, Chatsworth, CA 91313-5019

PRSRT STD
US Postage
PAID
Van Nuys, CA
Permit #2399

Especially for . . .

RETURN OF THE CREEPING CRUD!

Introducing RPI's 2018 PM Poster - Featuring RPI Service Tips on protecting your equipment from the "Return of the Creeping Crud!" You know, that crud, that slimes its way into your equipment, then spreads, and contaminates. RPI's poster is available now.

PM Kits and More Parts to Fit Sterrad 100S/100NX/NX

(Continued from front page)

respect to the PM Kits we offer is that one pump requires one kind of the oil, and the other pump another kind of oil. So we made it very easy for you – we developed two different sets of PM Kits based on the kind of pump and the oil required. Be sure to see the "Service Tip" on page 7 that explains how to tell the difference between the two pumps, so that you know which kits to order.

For the NX model that has the Adixen Pfeiffer pump installed, just ask for PM-1 Kit (RPI Part #SDK004) developed specifically for the semi-annual pm's, basically an oil mist and oil

change, and for annual pm's, ask for PM-2 Kit (RPI Part #SDK003), it includes the catalytic converter and more.

For the NX model where the Leybold pump is installed, you will want the semi-annual PM-1 Kit (RPI Part #SDK075), and the annual PM-2 Kit (RPI Part #SDK076).

Keep in mind that the NX PM Kits are basically the same, with the exception of oil included.

Check out all of these new parts and kits to fit the **100S and NX** on the RPI website: www.rpiparts.com.

P.S. Don't worry. We haven't forgotten about parts and kits to fit the **100NX model**. We are working on them now. Just keep an eye out for one of our yellow new parts flyers in the mail announcing their arrival, or check our website.

New Line of Parts & PM Kits to Fit Medivator AER's

(Continued from front page)

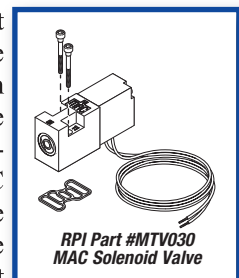
tanks. RPI now offers parts to fit the DSD Edge with a Preventative Maintenance Kit (RPI Part #MTK033) as well.

The RPI PM Kit that fits the DSD201 and the DSD Edge are similar in many

ways but with a few exceptions. The Kit contains only four of the 3/4" drain valve manifold repair kits because they replaced valve #10 with a different valve for a sample port and a disinfectant filter. This PM Kit will come with the seal for this sample port and the replacement strainer for the disinfectant filter. Also with the new SSG dosing unit comes a float ball, springs and twenty-eight O-rings to service the connections and pumps located on the SSG dosing unit.

As with the PM Kit that fits the DSD-201, all parts are available for individual purchase and in case the PM happens to coincide with the required change of the system's many filters, RPI also offers the disinfectant filters, the disc air filters, the 1.0 micron pre-filters, and the 0.45 micron pre-filters.

One other part to take note of that fits both the DSD Edge and the DSD-201 is the MAC Solenoid Valve that includes the Coil (RPI Part #MTV030). And if you only need the Coil, ask for RPI Part #MTC032.



Be sure to see the center pages of this issued for details about all of these parts and kits to fit the Medivator Endoscope Reprocessing Units.

All rights reserved. No part of this newsletter may be reproduced or utilized in any form or by any other means without permission in writing from the Publisher. Inquiries should be addressed to: RPI, Marketing Department, P.O. Box 5019, Chatsworth, California 91313-5019. Additional copies of The Alternate Source® may be obtained by contacting RPI. Please feel free to Call: (800) 221-9723, Fax: (818) 882-7028, or E-Mail: moreinfo@rpiparts.com your request. Parts mentioned in this newsletter are manufactured by Replacement Parts Industries, Inc. to fit the equipment noted. All product names used in this document are trademarks or registered trademarks of their respective holders. RPI © 2018.

**CALL (800) 221-9723 or (818) 882-8611 • FAX (818) 882-7028 • WEBSITE www.rpiparts.com
E-MAIL moreinfo@rpiparts.com • E-MAIL order@rpiparts.com • E-MAIL techhelp@rpiparts.com**