



replacement parts industries, inc.

CALL 800-221-9723 or 818-882-8611 • FAX 818-882-7028

E-MAIL: techsupport@rpiparts.com • WEBSITE: www.rpiparts.com

PUMP TESTER BOTTLE KIT RPI Part #SCK024 Installation & Usage Instructions

THE RPI ADVANTAGE

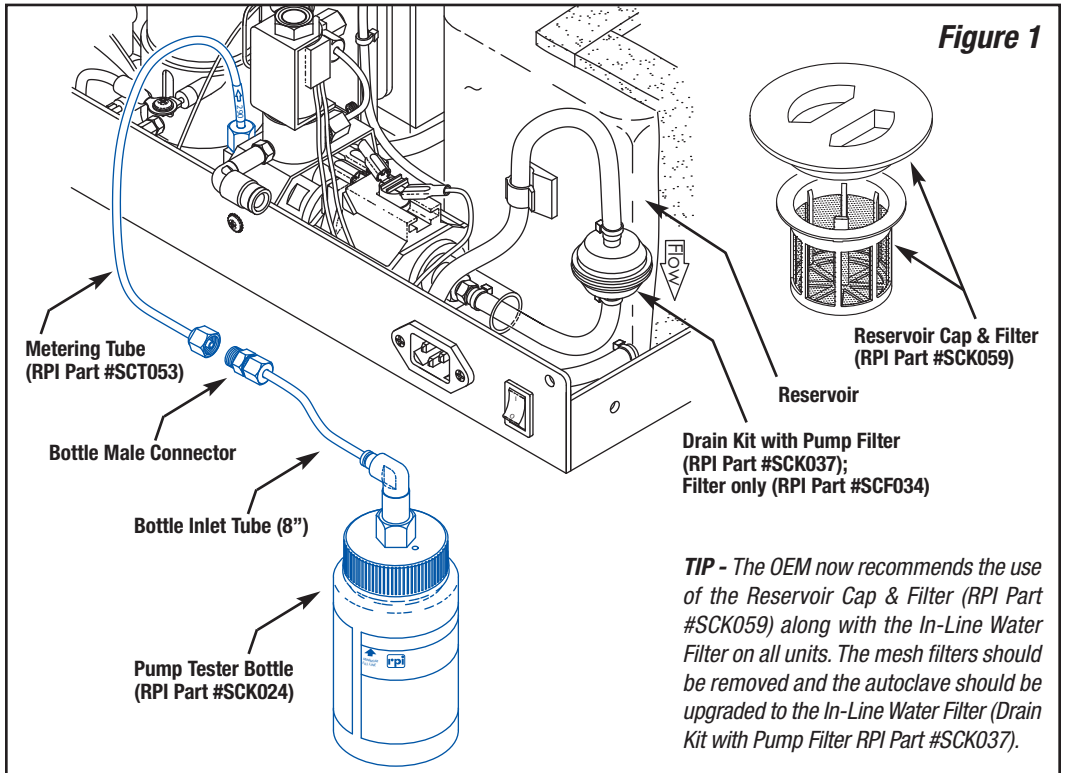
The RPI bottle has a “swivel fitting” on the lid that allows you to control the position and balance of the bottle. In addition, RPI includes 8” of tubing already connected to the swivel fitting which allows you to move the bottle a safe distance away from the autoclave during testing.

The OEM now recommends the use of the Reservoir Cap & Filter (RPI Part #SCK059) along with the In-Line Water Filter (RPI Part #SCF034) on all units. The mesh filters should be removed and the autoclave should be upgraded to the In-Line Water Filter (Drain Kit with Pump Filter RPI Part #SCK037).

INSTRUCTIONS

STEP #1 - TO BEGIN: Disconnect the pump outlet metering tube (*see Figure 1*) from the steam generator/boiler by using a 3/8” wrench on the compression nut while supporting the steam generator/boiler fitting with a 7/16” wrench. Connect the metering tube to the Pump Tester Bottle male connector and tighten.

STEP #2 - PRIME PUMP: Fill reservoir with distilled water only and activate the pump for 2-3 seconds to purge any trapped air from the tubing (until water passes through the pump). **Empty the bottle of any water that may have entered it during the purge cycle. The bottle must be completely empty before proceeding with the test.**

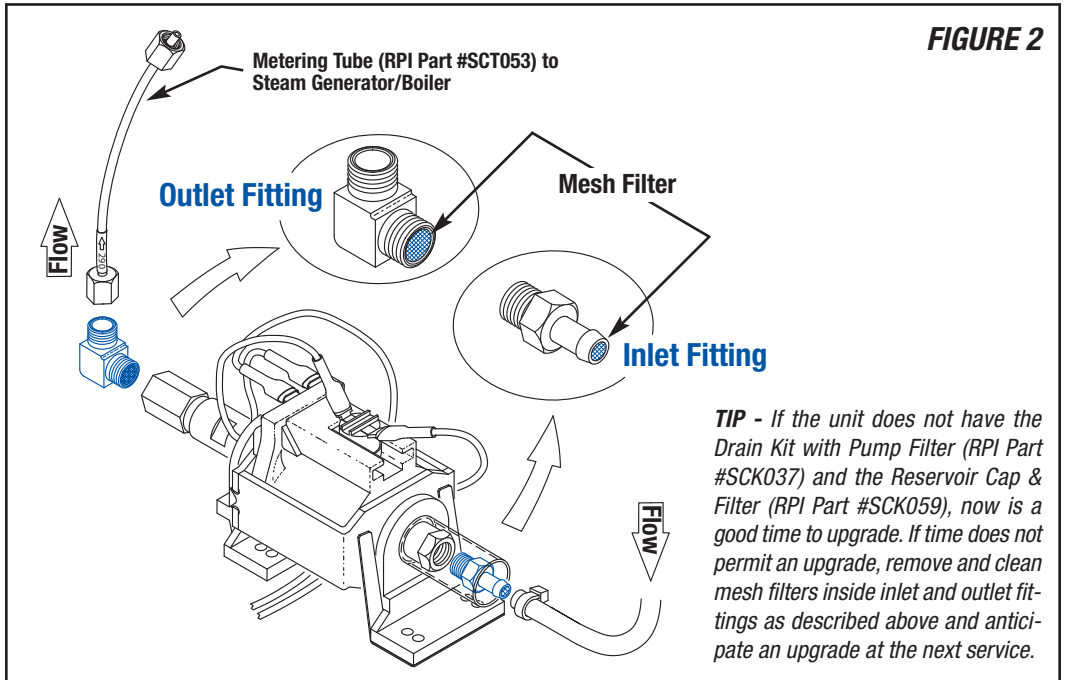


STEP #3 - TEST CYCLE: Before activating the pump for the Test Cycle, have a stopwatch or another timing device available for use during the Test Cycle. Activate the pump and note the amount of time that it takes for the water level in the bottle to reach the **MINIMUM FILL LINE**.

- If the water level reaches the **MINIMUM FILL LINE** within 25 seconds, pump testing is complete and no further steps are required.
- If the water level **does not** reach the **MINIMUM FILL LINE** within the specified time, proceed to the next step.

STEP #4 - FILTERS:

- If the autoclave has been upgraded with **Drain Kit with Pump Filter (RPI Part #SCK037)**, be sure to remove the mesh filter from both the inlet and outlet fittings (if they have not already been removed). The ULKA brand pump does not have the mesh filters. Replace the Water Filter (In-Line) (RPI Part #SCF034). Repeat Step #2 - Prime Pump, then if the water level still **does not** reach the **MINIMUM FILL LINE** within 25 seconds, replace the pump.
- If the unit does not have the **Drain Kit with Pump Filter (RPI Part #SCK037)** installed, then clamp off the pump inlet tubing from the reservoir using hemostats or a tubing clamp (Note: It is important to clamp the tubing so that the reservoir does not drain). Disconnect the metering tube from the pump. Remove the filtered elbow outlet fitting and the filtered barb inlet fitting from the pump. (**Caution: Use a wrench on the pump body while removing filtered fittings**). Clean the mesh filter of both the inlet and the outlet fittings by placing the fittings under running water, then blow both ends out with an air hose. Reinstall the filtered fittings using Teflon® tape (**see Figure 2**). Be sure to run the water pump in order to purge trapped air before running a complete cycle. If the water level still does not reach the **MINIMUM FILL LINE** within 25 seconds, replace the pump (**see Tip in Figure 2**).



Here's Another RPI Advantage - The RPI Field Service Smart Kit® (RPI Part #SCK028). It's the only one of its kind and it was designed by RPI exclusively for our customers for servicing and repairing SciCan STATIM® 2000 & 5000 Cassette Autoclaves. It includes RPI "one-of-a-kind" tools like the easy to use Probe Bracket Alignment Tool, a 25" long Extension Test Cable, Start Switch, Pump Tester Bottle with an extended swivel elbow for easy positioning, and many other tools including a Water Quality Tester with the Calibration Solution. Plus, this Kit includes RPI's *A Guide to Maintaining the SciCan STATIM® Cassette Autoclave*, an essential booklet offering troubleshooting and service tips, error code descriptions, detailed exploded views and more! Also, it all comes in a sturdy black carrying case with handle.

