

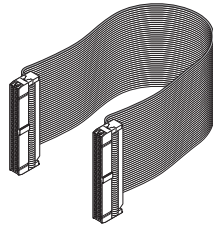
NEW PC BOARD (AJUNC-3) & PM KIT TO FIT TUTTNAUER® TABLE TOP STERILIZERS!

RPI Part #TUC144
OEM Part #02830105

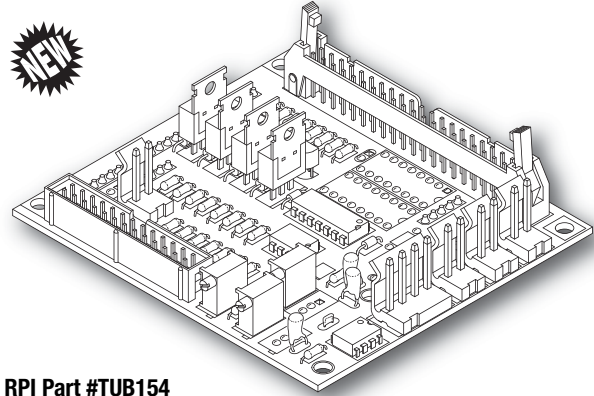
RIBBON CABLE

- 40 pin (2 x 20) IDC connector with a 12" lg. cable
- Connects the Display Board (PREDG) with Blue LCD (RPI part #TUB161) or Display Board (PREDG) with Green LCD (RPI Part #TUB162) to the PCB AJUNC-3

Models: 1730E/EK, 2340E/EA/EK/EKA, 2540E/EA/EK/EKA, 3850E/EA/EK/EKA, 3870E/EA/EK/EKA, EZ10, EZ10k, EZ9 & EZ9k



NEW PC BOARD!



RPI Part #TUB154
OEM Part #03700029

PC BOARD (AJUNC-3)

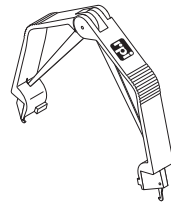
- This board **MUST** be calibrated upon installation.

Fits: Electronics Bay

Models: 1730E/EK, 2340E/EA/EK/EKA, 2540E/EA/EK/EKA, 3850E/EA/EK/EKA, 3870E/EA/EK/EKA, EZ10, EZ10k, EZ9 & EZ9k

Tools to Make Your Job Easier!

Perfect for removing and installing the main processor chip for the display board!



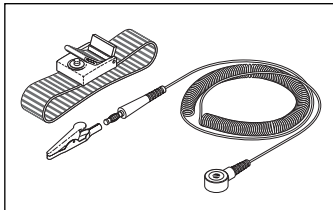
RPI Part #RPT962

OEM Part #
(No OEM Part # Available)

CHIP EXTRACTOR

- Specially designed tool for easy removal of PLCC type devices from their sockets

Perfect for reducing static discharge when working on fragile electrical components!



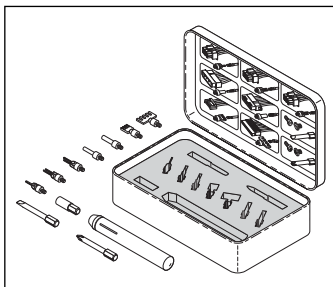
RPI Part #RPS998

OEM Part #
(No OEM Part # Available)

GROUNDING STRAP

- Specifically designed for grounding to an ESD work bench or a chassis to help reduce static discharge

Perfect for removing terminals from connectors!



RPI Part #RPK961

OEM Part #
(No OEM Part # Available)

TERMINAL TOOL KIT

- Tools made specifically for easy removal of terminals from 4 and 8 pin EPS (12V), ATX, Molex, TE/Amp, JST and PCI-E connectors

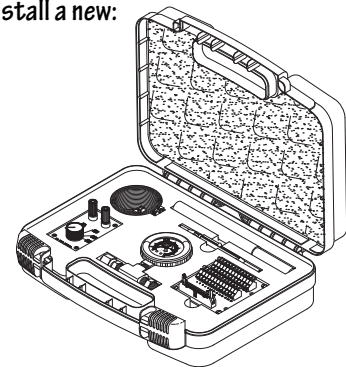
— Don't Forget to Calibrate the PC Board! —

Good News!

All the tools needed to calibrate the PC Board at the time of installation are included in the RPI Diagnostic Smart Kit®!

And remember, you must calibrate the PC Board any time you install a new:

- Pressure Transducer
- Temp Sensor (PT-100)



RPI Part #TUK108

OEM Part #TEST-9

DIAGNOSTIC SMART KIT®

— Also Available ...

RPI Part #TUS093

OEM Part #01610501

TEMP SENSOR (PT-100)

Fits: Chamber Manifold, AJUNC 3 PCB at the J11 connector

RPI Part #TUT092

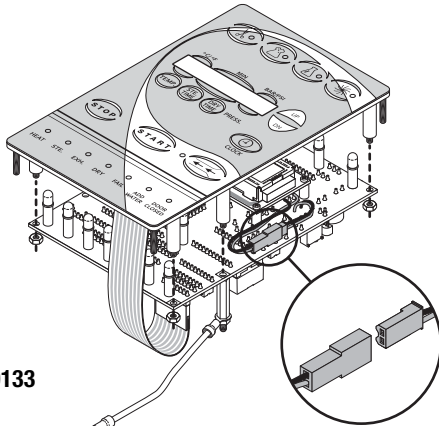
OEM Part #01630101 (AJUNC 2 PCB) & 01630101-1 (AJUNC 3 PCB)

PRESSURE TRANSDUCER

Fits: AJUNC 2 PCB & AJUNC 3 PCB



LCD DISPLAY ASSEMBLIES



RPI Part #TUA159
OEM Part #CTP201-0133

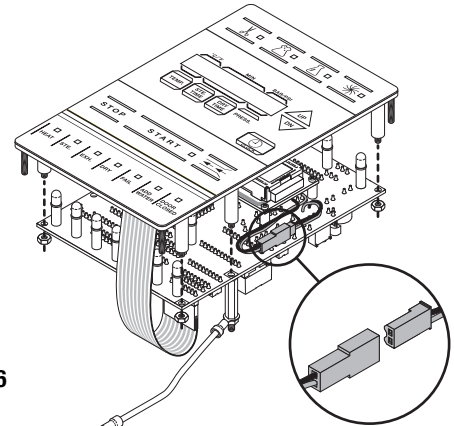
LCD DISPLAY ASSEMBLY (BLUE)

- See **Important Note** below
- Includes all parts as shown

Fits: Front Panel

Models: 1730E/EK, 2340E/EA/EK/EKA, 2540E/EA/EK/EKA, 3850E/EA/EK/EKA, 3870E/EA/EK/EKA, EZ10, EZ10k, EZ9 & EZ9k

Our Quick Disconnect wiring system makes for easy replacement of the LCD Display. It's the RPI advantage!



RPI Part #TUA160
OEM Part #03700026

LCD DISPLAY ASSEMBLY (GRAY)

- See **Important Note** below
- Includes all parts as shown

Fits: Front Panel

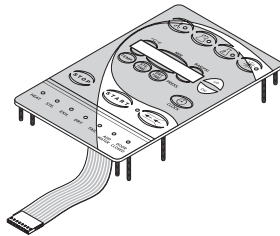
Models: 1730E/EK, 2340E/EA/EK/EKA, 2540E/EA/EK/EKA, 3850E/EA/EK/EKA, 3870E/EA/EK/EKA, EZ10, EZ10k, EZ9 & EZ9k

Our Quick Disconnect wiring system makes for easy replacement of the LCD Display. It's the RPI advantage!

RPI Part #TUK150
OEM Part #03700027-1

KEYPAD (BLUE)

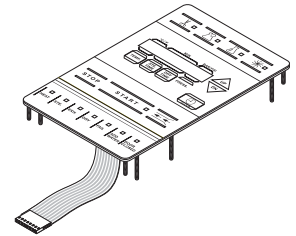
- Size: 6.50" x 4.00"
- Material: Keypad with aluminum backing panel



RPI Part #TUK151
OEM Part #3700027

KEYPAD (GRAY)

- Size: 6.50" x 4.00"
- Material: Keypad with aluminum backing panel

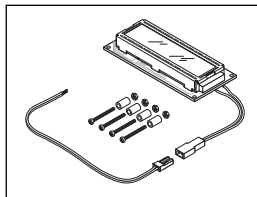


RPI Part #TUD152
OEM Part #CTP201-0168

LCD DISPLAY (BLUE)

- +5VDC, 16 character, single line
- Includes all parts as shown

Fits: Display Board (PREDG) With Blue LCD

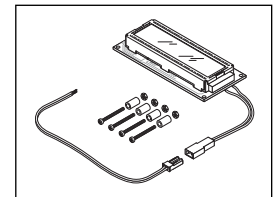


RPI Part #TUD153
OEM Part #4400317

LCD DISPLAY (GREEN)

- +5VDC, 16 character, single line
- Includes all parts as shown

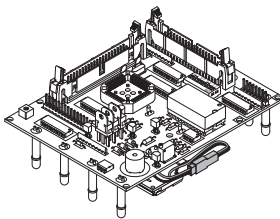
Fits: Display Board (PREDG) With Green LCD



RPI Part #TUB161
OEM Part #CTP000-0133

DISPLAY BOARD (PREDG) WITH BLUE LCD

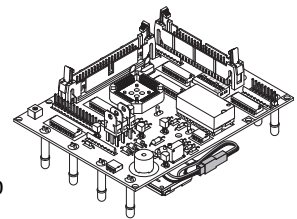
- See **Important Note** below
- Includes: LCD Display (Blue) (RPI Part #TUD152) and Clock Chip (With Battery) (RPI Part #TUC107)



RPI Part #TUB162
OEM Part #03700024

DISPLAY BOARD (PREDG) WITH GREEN LCD

- See **Important Note** below
- Includes: LCD Display (Green) (RPI Part #TUD153) and Clock Chip (With Battery) (RPI Part #TUC107)

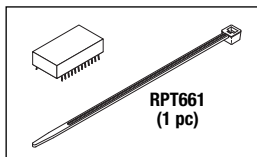


RPI Part #TUC107
OEM Part #0180202

CLOCK CHIP (WITH BATTERY)

- After the Clock Chip (With Battery) is installed, the machine must be reprogrammed

Fits: Display Board (PREDG) with Blue LCD & Display Board (PREDG) with Green LCD

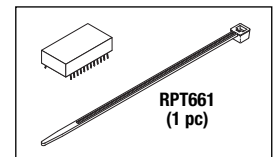


RPI Part #TUC107
OEM Part #0180202

CLOCK CHIP (WITH BATTERY)

- After the Clock Chip (With Battery) is installed, the machine must be reprogrammed

Fits: Display Board (PREDG) with Blue LCD & Display Board (PREDG) with Green LCD



Important Note: These boards do not contain the main processor chip! It is recommended that you use a Chip Extractor (RPI Part #RPT962) and Grounding Strap (RPI Part #RPS998) to remove the processor chip from your old board to install on the new board.

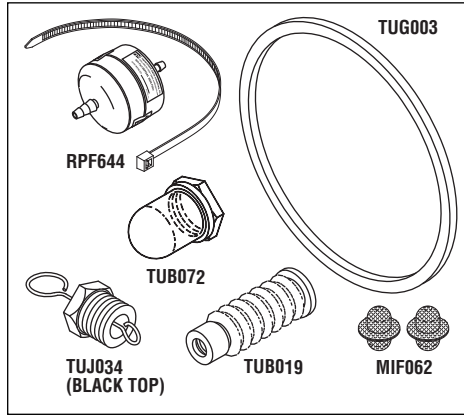
NEW STERILIZER PM KIT AND WRENCH (LOW PROFILE)!



RPI Part #TUK133
OEM Part #02610023 (Door Gasket Only)

STERILIZER PM KIT

- Includes all parts as shown plus a PM Check List
 - All parts also sold separately
- Models:** EZ10, 2540EA/EHS



RPI Part #RXT003

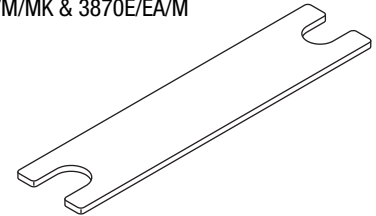
OEM Part # (No OEM Part # Available)



WRENCH (LOW PROFILE)

- Material: Stainless Steel
- Double Ended Flat Wrench: 7/16" x 10mm
- Used on Tuttnauer sterilizer Leveling Feet and Air Jet Valves.

Models: Valueklave (1730MKV), 1730E/EK/M/MK, 2340E/EA/EK/EKA/M/MK, 2540E/EA/EKA/M/MK/MKA, 3850E/EA/M/MK & 3870E/EA/M



RPI is Your Best Source for Sterilizer PM Kits to Tuttnauer Sterilizers!

RPI Part #	OEM Part #	Description	Fits Model(s)
TUK121	02610020 (Door Gasket Only)	Sterilizer PM Kit	1730E/M
TUK122	02610020 (Door Gasket Only)	Sterilizer PM Kit	ValueKlave (1730MKV) & 1730EK/MK
TUK123	02610005 (Door Gasket Only)	Sterilizer PM Kit	2340M (Serial #8805 and below)
TUK124	02610118 (Door Gasket Only)	Sterilizer PM Kit	2340E & 2340M (Serial #8806 and above)
TUK125	02610118 (Door Gasket Only)	Sterilizer PM Kit	EZ9 & 2340EA
TUK126	02610118 (Door Gasket Only)	Sterilizer PM Kit	2340EK/MK
TUK127	02610118 (Door Gasket Only)	Sterilizer PM Kit	2340EKA
TUK128	02610023 (Door Gasket Only)	Sterilizer PM Kit	2540E/M
TUK129	02610023 (Door Gasket Only)	Sterilizer PM Kit	EZ10k & 2540EKA
TUK130	02610023 (Door Gasket Only)	Sterilizer PM Kit	2540EK/MK
TUK131	02610019 (Door Gasket Only)	Sterilizer PM Kit	3850E/M & 3870E/M
TUK132	02610019 (Door Gasket Only)	Sterilizer PM Kit	3850EA & 3870EA
TUK133	02610023 (Door Gasket Only)	Sterilizer PM Kit	EZ10 & 2540EA/EHS

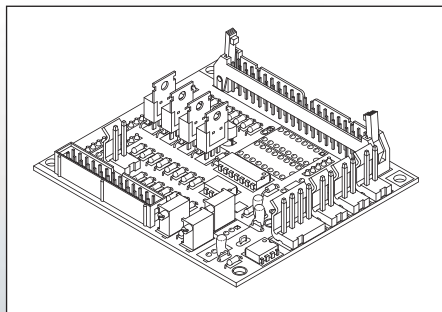
DON'T FORGET ABOUT THESE RECENTLY INTRODUCED PARTS!

RPI Part #	OEM Part #	Description	Fits Model(s)
RPT963	No OEM Part # Available	QC Terminal (1/4" Piggyback) - 20/Pkg	1730E/EK, 2340E/EA/EK/EKA, 2540E/EA/EK/EKA, 3850E/EA/EK/EKA, 3870E/EA/EK/EKA, EZ10, EZ10k, EZ9 & EZ9k
TUA066	CC312036 & CT312036	Door Switch Actuator	Valueklave (1730MKV), 1730E/EK/M/MK, 2340E/EA/EK/EKA/M/MK, 2540E/EA/EK/EKA/M/MK, 3850E/EA/EK/EKA/M/MK, 3870E/EA/EK/EKA/M/MK, EZ10, EZ10k & EZ9
TUC138	ELC258-0004	Capacitor (.47µF)	1730E/EK, 2340E/EA/EK/EKA, 2540E/EA/EK/EKA, 3850E/EA/EK/EKA, 3870E/EA/EK/EKA, EZ10, EZ10k, EZ9 & EZ9k
TUC145	CC836101 & CMT387-0029	Condensation Coil	3850E/EA/M/MK & 3870E/EA/M/MK
TUH158	CT241010	Door Bellows Housing	Valueklave (1730MKV), 1730E/EK/M/MK, 2340E/EA/EK/EKA/M/MK, 2540E/EA/EK/EKA/M/MK/MKA, 3850E/EA/M/MK, 3870E/EA/M
TUL136	01910261	Signal Light (Amber 220V)	1730EK/MK, 2340E/EA/EK/EKA/M/MK, 2540E/EA/EK/EKA/M/MK, 3850E/EA/M & 3870E/EA/M
TUL137	01919262	Signal Light (Green 220V)	1730EK/MK, 2340E/EA/EK/EKA/M/MK, 2540E/EA/EK/EKA/M/MK, 3850E/EA/M & 3870E/EA/M
TUP062	CT910020	Thermostat Stop Plate	1730M/MK, 2340M/MK, 2540M/MK, 3850M/MK & 3870M/MK
TUS146	SHIM	Door Shim	3850E/EA/EHS/M/MK & 3870E/EA/EHS/M/MK
TUT155	THE005-0012	Overtemp Thermostat	Valueklave (1730MKV) & 1730M/MK

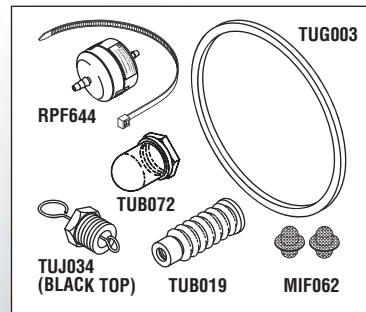
NEW PC BOARD (AJUNC-3) & PM KIT TO FIT TUTTNAUER® TABLE TOP STERILIZERS!



PC BOARD (AJUNC-3)
RPI Part #TUB154
Models: 1730E/EK,
 2340E/EA/EK/EKA,
 2540E/EA/EK/EKA,
 3850E/EA/EK/EKA,
 3870E/EA/EK/EKA, EZ10,
 EZ10k, EZ9 & EZ9k



STERILIZER PM KIT
RPI Part #TUK133
Models: EZ10,
 2540EA/EHS



New Parts to fit Tuttnauer Manual and Automatic Sterilizers!

ADDRESS SERVICES REQUESTED

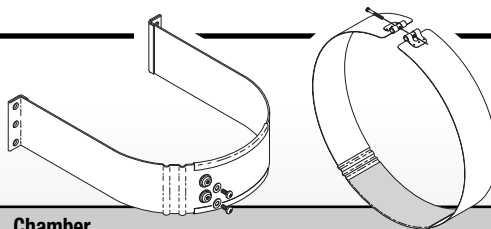
PERMIT NO. 2399
 VAN NUYS, CA
 U.S. POSTAGE PAID
 PRESORTED STANDARD

20338 Corisco Street • Chatsworth, California • 91311
replacement parts industries, inc.



HEATING ELEMENTS & HARDWARE

**RPI is your Best Source
 for Heating Elements to fit
 Tuttnauer® Table Top Sterilizers!**



RPI Part #	OEM Part #	Description	Specifications	Chamber Diameter	Fits Model(s)
TUH027	01720001	Heater Element - Now with Copper Sheath!	350W, 120V, ~41Ω	7"	1730E/M
TUH004	01720011	Heater Element - Now with Copper Sheath!	450W, 120V, ~32Ω	7"	ValueKlave (1730MKV) & 1730E/EK/M/MK
TUH016*	01720012	Heater Element	450W, 230V, ~117Ω	7"	1730EK/MK
TUH005*	01720002	Heater Element	350W, 120V, ~41Ω	9"	EZ9 & 2340E/M
TUH017	01720013	Heater Element - Now with Copper Sheath!	550W, 230V, ~96Ω	9"	2340EK/MK
TUH006	01720003	Heater Element - Now with Copper Sheath!	350W, 120V, ~41Ω	10"	EZ10 & 2540E/M
TUH018	01720014	Heater Element - Now with Copper Sheath!	550W, 230V, ~96Ω	10"	EZ10k & 2540EK/MK
TUH147	HEA009-0008	Heating Element - With Copper Sheath!	500W, 230V, ~105Ω	16"	3870E/EA/EKA/M/MK
TUH148	HEA009-0007	Heating Element - With Copper Sheath	600W, 230V, ~88Ω	16"	3850E/EA/EK/EKA/M/MK

* Heater Elements (RPI Part #TUH005 & TUH016) include Attaching Hardware (RPI Part #TUH015) - Also sold separately.
 All other Heating Elements include Heater Hardware (RPI Part #TUH052) - Also sold separately.