



New Line of Parts to fit Covidien/Puritan Bennett™ 840 Ventilators!

COVIDIEN/PURITAN BENNETT

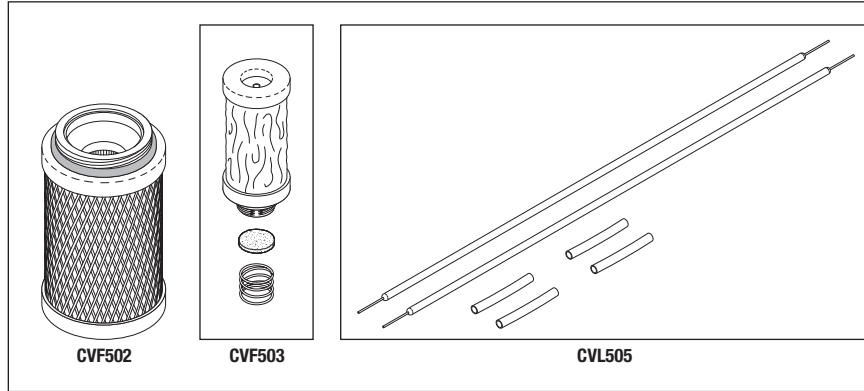


RPI Part #CVK501
OEM Part #4-079056-00

VENTILATOR PM KIT
(WITH LAMPS - 9.4" GUI)

- 10,000 hour Planned Maintenance Kit
- Includes: Air Inlet Filter (RPI Part #CVF502), Oxygen Inlet Filter (RPI Part #CVF503), Lamp (RPI Part #CVL505), and PM Sticker

Models: 840

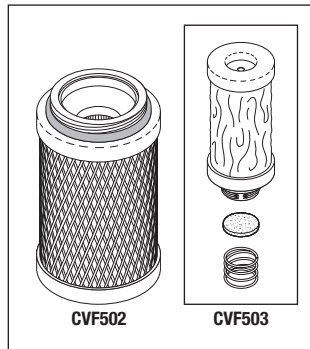


RPI Part #CVK500
OEM Part #4-078179-00

VENTILATOR PM KIT (10.4" GUI)

- 10,000 hour Planned Maintenance Kit
- Includes: Air Inlet Filter (RPI Part #CVF502), Oxygen Inlet Filter (RPI Part #CVF503), and PM Sticker

Models: 840



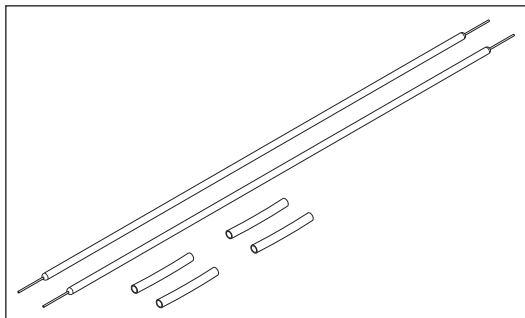
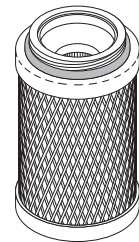
RPI Part #CVF502
OEM Part #4-072203-00

AIR INLET FILTER

- 0.3 micron
- Size: 1-3/4" dia. x 2-3/4" lg.
- Included in: Ventilator PM Kit (10.4" GUI) (RPI Part #CVK500) and Ventilator PM Kit (with Lamps - 9.4" GUI) (RPI Part #CVK501)
- Also available: Oxygen Inlet Filter (RPI Part #CVF503) and Lamp (RPI Part #CVL505)

Fits: Inspiratory Module

Models: 840



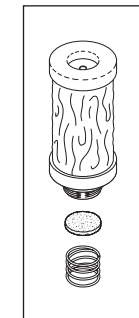
RPI Part #CVL505
OEM Part # (OEM Part # Not Available)

LAMP

- 2 per package
- Size: 2.6 mm (.102" dia.) x 214 mm (8.43" lg.) full spectrum CCFL
- Included in: Ventilator PM Kit (with Lamps - 9.4" GUI) (RPI Part #CVK501)
- Also available: Air Inlet Filter (RPI Part #CVF502) and Oxygen Inlet Filter (RPI Part #CVF503)

Fits: 9.4" GUI

Models: 840



RPI Part #CVF503
OEM Part #4-072204-00

OXYGEN INLET FILTER

- 0.3 micron
- Size: .96" dia. x 1.91" lg.
- Included in: Ventilator PM Kit (10.4" GUI) (RPI Part #CVK500) and Ventilator PM Kit (with Lamps - 9.4" GUI) (RPI Part #CVK501)
- Also available: Air Inlet Filter (RPI Part #CVF502) and Lamp (RPI Part #CVL505)

Fits: Inspiratory Module

Models: 840

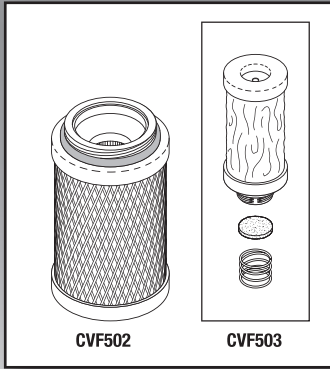


replacement parts industries, inc.

CALL (800) 221-9723 • FAX (818) 882-7028 • EMAIL order@riparts.com • WEBSITE www.riparts.com

The above parts are manufactured by Replacement Parts Industries, Inc. to fit the equipment noted. All product names used in this document are trademarks or registered trademarks of their respective holders. 2008CV SHOW 01/21

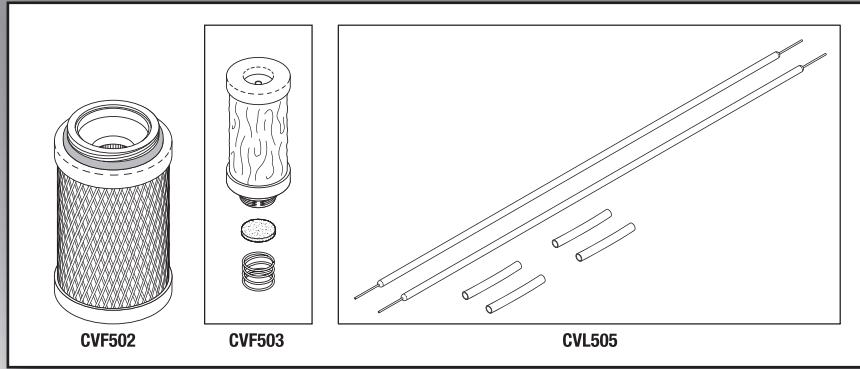
New PM Kits to fit Covidien/Puritan Bennett™ 840 Ventilators!



CVF502

CVF503

RPI Part #CVK500
 OEM Part #4-078179-00
 VENTILATOR PM KIT (10.4" GUI)



CVF502

CVF503

CVL505

RPI Part #CVK501
 OEM Part #4-079056-00
 VENTILATOR PM KIT (WITH LAMPS - 9.4" GUI)

New Line of Parts to fit Covidien/Puritan Bennett™ 840 Ventilators!

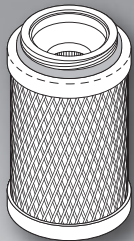
ADDRESS SERVICES REQUESTED

replacement parts industries, inc.
 625 Cochran Street • Simi Valley, California • 93065

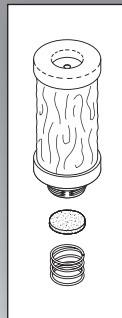


PRESENTED STANDARD
 U.S. POSTAGE PAID
 VAN NUYS, CA
 PERMIT NO. 2399

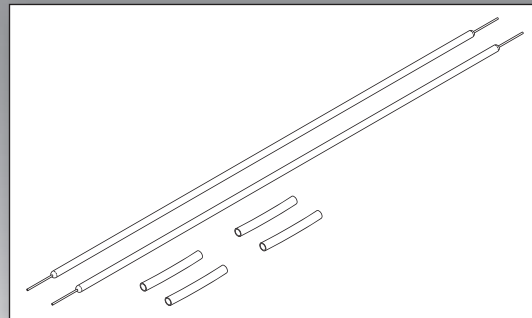
New Parts to fit Covidien/Puritan Bennett™ 840 Ventilators!



RPI Part #CVF502
 OEM Part #4-072203-00
 AIR INLET FILTER



RPI Part #CVF503
 OEM Part #4-072204-00
 OXYGEN INLET FILTER



RPI Part #CVL505
 OEM Part # (OEM Part # Not Available)
 LAMP