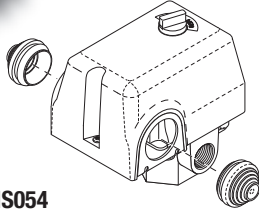


More New RPI Parts & Recap of Existing Parts for Dental Compressors

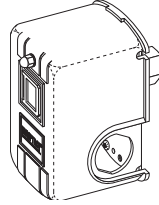
FOR MORE INFORMATION ABOUT THE PARTS LISTED IN THIS FLYER, SEE RPI's WEBSITE: [www.rpiparts.com](http://www.rpiparts.com)



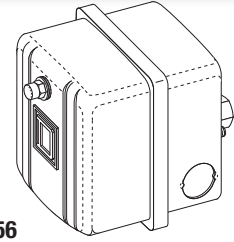
PRESSURE SWITCHES & VALVES



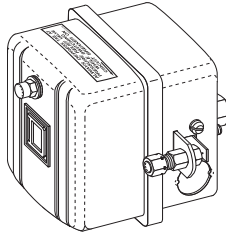
**RPI Part #CMS054**  
**OEM Part # See Chart on Back Page**  
**PRESSURE SWITCH**  
 • Factory set to: Off @ 100 PSI



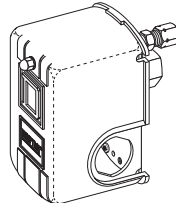
**RPI Part #CMS053**  
**OEM Part # See Chart on Back Page**  
**PRESSURE SWITCH**  
 • Factory set to: On @ 80 PSI; Off @ 100 PSI



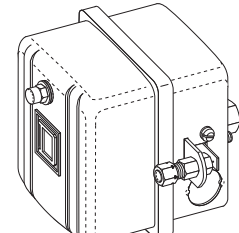
**RPI Part #CMS056**  
**OEM Part # See Chart on Back Page**  
**PRESSURE SWITCH**  
 • Factory set to: On @ 80 PSI; Off @ 100 PSI



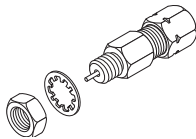
**RPI Part #CMS057**  
**OEM Part # See Chart on Back Page**  
**PRESSURE SWITCH**  
 • Factory set to: On @ 80 PSI; Off @ 100 PSI  
 Includes Pressure Relief Valve CMV059



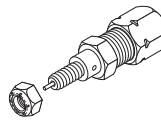
**RPI Part #CMS051**  
**OEM Part # See Chart on Back Page**  
**PRESSURE SWITCH**  
 • Factory set to: Off @ 100 PSI  
 Includes Pressure Relief Valve CMV060



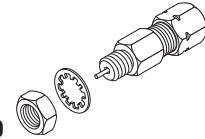
**RPI Part #CMS052**  
**OEM Part # See Chart on Back Page**  
**PRESSURE SWITCH**  
 • Factory set to: On @ 75 PSI; Off @ 100 PSI  
 Includes Pressure Relief Valve CMV059



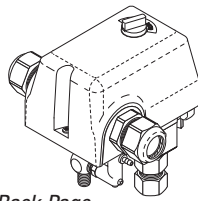
**RPI Part #CMV059**  
**OEM Part # See Chart on Back Page**  
**PRESSURE RELIEF VALVE**



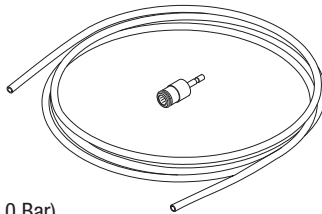
**RPI Part #CMV060**  
**OEM Part # See Chart on Back Page**  
**PRESSURE RELIEF VALVE**



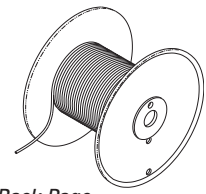
**RPI Part #CMV059**  
**OEM Part # See Chart on Back Page**  
**PRESSURE RELIEF VALVE**



**RPI Part #CMS055**  
**OEM Part # See Chart on Back Page**  
**PRESSURE SWITCH**  
 • Factory set to: On @ 90 PSI (6.2 Bar); Off @ 116 PSI (8.0 Bar)  
 Includes Unloader Valve CMV058, 3.3' Tubing RPT670, Tube Adapter Fitting, Elbow Fitting, Quick Connect Fitting with O-Ring RPO303 & Conduit Connectors



**RPI Part #RPT670**  
**OEM Part # See Chart on Back Page**  
**TUBING**  
 Sold by the foot; Reel not included



**RPI Part #RPO303**  
**OEM Part # See Chart on Back Page**  
**O-RING (12 per package)**  
 Size: .364" ID x .504" OD x .070 C/S  
 Material: Nitrile (Buna N); Duro: 70

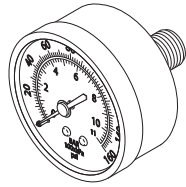


**RPI Part #CMV058**  
**OEM Part # See Chart on Back Page**  
**UNLOADER VALVE**

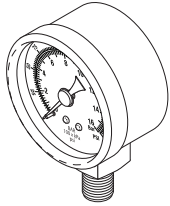


## PRESSURE GAUGES

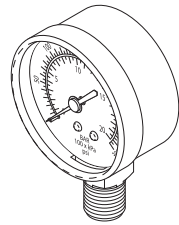
RPI Part #CMG048  
 OEM Part # See Chart on Back Page  
**PRESSURE GAUGE (160 PSI)**  
 • 2" dial; 1/4 MPT center back mount



RPI Part #CMG050  
 OEM Part # See Chart on Back Page  
**PRESSURE GAUGE (230 PSI)**  
 • 1.5" dial; 1/8-28 BSPP bottom mount

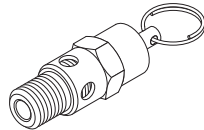


RPI Part #CMG049  
 OEM Part # See Chart on Back Page  
**PRESSURE GAUGE (300 PSI)**  
 • 2" dial; 1/4 MPT bottom mount

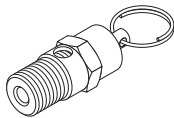


## SAFETY VALVES

RPI Part #CMV046  
 OEM Part # See Chart on Back Page  
**SAFETY VALVE (125 PSI)**  
 • Brass; 1/4 MPT



RPI Part #CMV047  
 OEM Part # See Chart on Back Page  
**SAFETY VALVE (135 PSI)**  
 • Brass; 1/4 BSP



## PM GUIDE

**FREE!**  
 Dental  
 Compressor  
 PM Guide

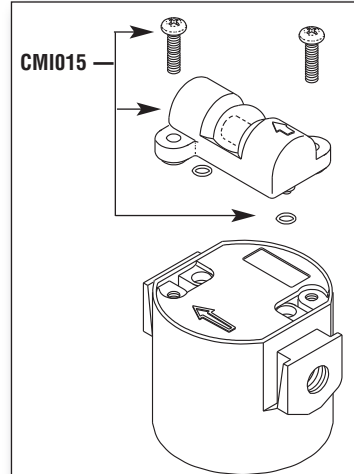
*This easy-to-use Planned Maintenance Guide for dental compressors walks you through the steps of what to look for and what to replace at monthly and annual intervals. It's a great "leave-behind" for your customers because you can personalize it with your company name.*

**Now available on the RPI website: [www.rpiparts.com](http://www.rpiparts.com)  
 Click RPI Tech Help. Select PM Guides.**

## COALESCING FILTER ASSEMBLIES

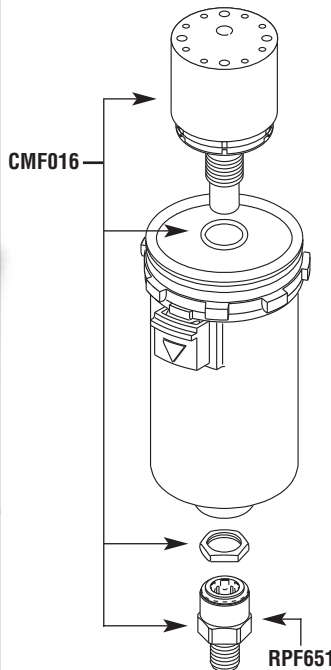
### 5 oz.

RPI Part #CMA021  
 OEM Part # See Chart on Back Page  
**COALESCING FILTER ASSEMBLY (5 oz.)**  
 • Wilkerson brand



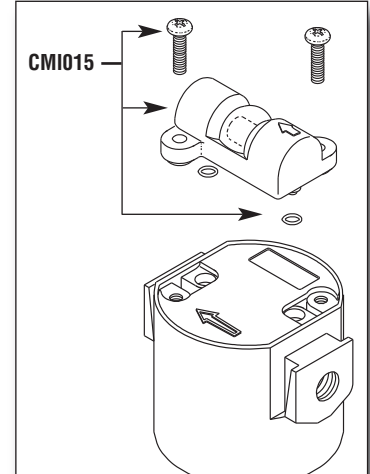
*You choose the Filter Element that best suits your needs:*

- **CMK024**  
Type C; 0.01 micron  
Wilkerson brand
- **CMK005**  
Type B; 0.5 micron  
Wilkerson brand
- **CMK026**  
Type C; 0.01 micron  
Generic brand



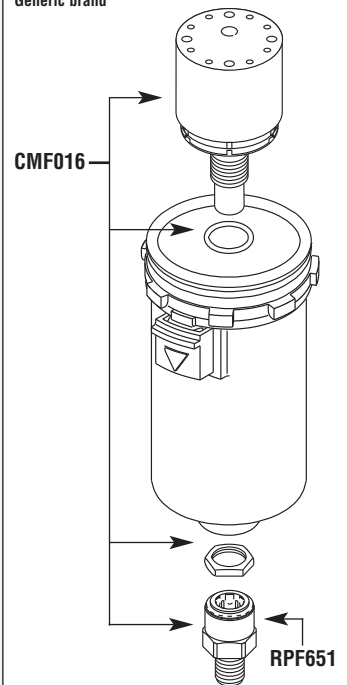
### 10 oz.

RPI Part #CMA022  
 OEM Part # See Chart on Back Page  
**COALESCING FILTER ASSEMBLY (10 oz.)**  
 • Wilkerson brand



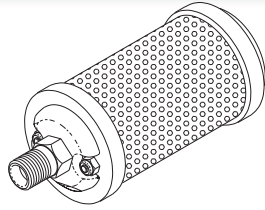
*You choose the Filter Element that best suits your needs:*

- **CMK025**  
Type C; 0.01 micron  
Wilkerson brand
- **CMK006**  
Type B; 0.5 micron  
Wilkerson brand
- **CMK027**  
Type C; 0.01 micron  
Generic brand

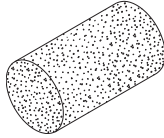


## INTAKE FILTERS (AIR)

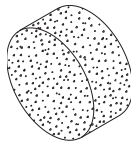
RPI Part #CMF002  
OEM Part # See Chart on Back Page  
AIR INTAKE FILTER (METAL STYLE)



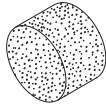
RPI Part #CMF014  
OEM Part # See Chart on Back Page  
FOAM ELEMENT



RPI Part #CMF011  
OEM Part # See Chart on Back Page  
FOAM ELEMENT

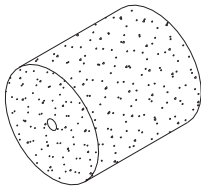


RPI Part #CMF013  
OEM Part # See Chart on Back Page  
FOAM ELEMENT

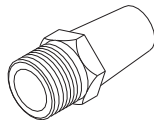


## FOAM INSERT/PURGE FILTERS

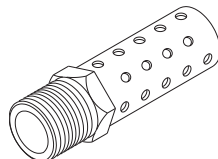
RPI Part #CMF012  
OEM Part # See Chart on Back Page  
FOAM INSERT/PURGE FILTER



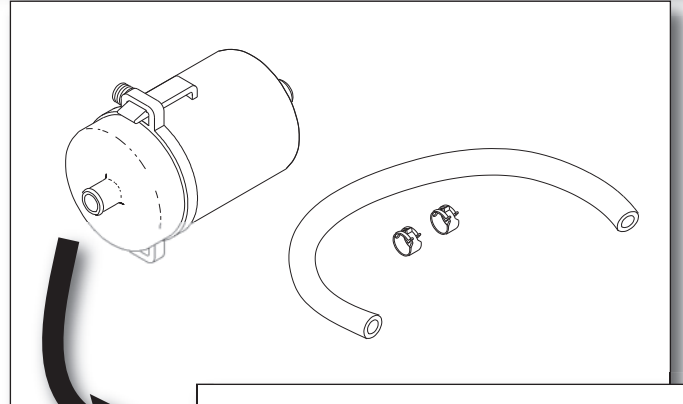
RPI Part #CMM017  
OEM Part # See Chart on Back Page  
PURGE MUFFLER



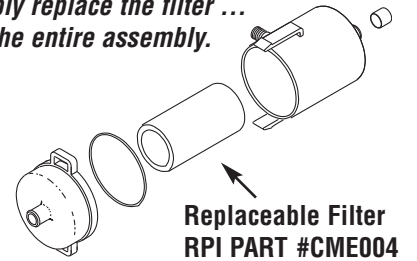
RPI Part #CMM023  
OEM Part # See Chart on Back Page  
PURGE MUFFLER



## INTAKE FILTER (FRESH AIR)



*The RPI Advantage!  
Simply replace the filter ...  
not the entire assembly.*

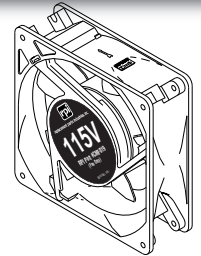


Replaceable Filter  
RPI PART #CME004

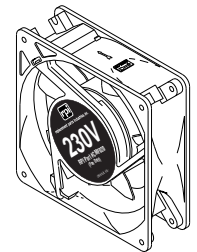
RPI Part #CMK003  
OEM Part # See Chart on Back Page  
FRESH AIR INTAKE FILTER KIT

## COOLING FANS

RPI Part #CMF019  
OEM Part # See Chart on Back Page  
COOLING FAN (115V)



RPI Part #CMF020  
OEM Part # See Chart on Back Page  
COOLING FAN (230V)



## COMPRESSOR OIL

**COMPRESSOR OIL**  
Includes Dispensing Tubes and Yorker Caps

RPI Part #CML001 - (1) 16 oz. Bottle  
OEM Part # See Chart on Back Page

RPI Part #CML045 - (12) 16 oz. Bottles  
OEM Part # See Chart on Back Page



Available by  
the bottle or  
by the case!



RPI PART #	DESCRIPTION	AIR TECHNIQUES	APOLLO/ MIDMARK	DCI/MDT McKESSON	DENTALEZ®	JUN-AIR	MATRX/ MIDMARK	TECH WEST/ TURBINE, IND.
<b>AIR INTAKE FILTERS</b>								
CMF002	AIR INTAKE FILTER (METAL STYLE)	80050	PFM50955					
CMF011	FOAM ELEMENT	60043-1						
CMF013	FOAM ELEMENT						77007079	AAF-100
CMF014	FOAM ELEMENT			3-08-0632-10				
CMK003	FRESH AIR INTAKE FILTER KIT Includes Replaceable Filter Element (RPI Part #CME004)		PFM50955					
<b>COALESCING FILTER ASSEMBLIES &amp; COMPONENTS</b>								
CMA021	COALESCING FILTER ASSY Wilkerson brand		ACA70305				77005010	
CMA022	COALESCING FILTER ASSY Wilkerson brand		ACA85215		645-45010	JA40815000		CFA-375
CMF016	AUTO FLOAT DRAIN Wilkerson brand		ACA85210		645-45010			
CMi015	DIFFERENTIAL PRESSURE INDICATOR Wilkerson brand		AAP85210					CI-100
CMK005	COALESCING FILTER ELEMENT Wilkerson brand (Type B)		ACA86050		648-00209	648-00209	77005010	
CMK006	COALESCING FILTER ELEMENT Wilkerson brand (Type B)		ACA86055		645-45010	JA40815000		CFE-375
CMK024	COALESCING FILTER ELEMENT Wilkerson brand (Type C)		ACA86050		648-00209	648-00209	77005005	
CMK025	COALESCING FILTER ELEMENT Wilkerson brand (Type C)		ACA86055		645-45010	JA40815000		CFE-375
CMK026	COALESCING FILTER ELEMENT Generic brand (Type C)		ACA86050		645-00209	648-00209	77005005	
CMK027	COALESCING FILTER ELEMENT Generic brand (Type C)		ACA86055		645-45010	JA40815000		CFE-375
RPF651	ADAPTER FITTING Fits Auto Float Drain		ACA85210		645-45010			
<b>COOLING FANS</b>								
CMF019	COOLING FAN (115VAC)	41060	SEA95535	3-08-0578-10	5451400	JA5445400		CF-115
CMF020	COOLING FAN (230VAC)	80516	SEA95540	3-08-0563-10	5451500	JA5445000		CF-230
<b>COMPRESSOR OIL</b>								
CML001	COMPRESSOR OIL (1) 10 oz. Bottle	60051	ACA85921	3-08-0084-30	64651001		77000220	CO-100
CML045	COMPRESSOR OIL (12) 16 oz. Bottles	60051	ACA85922	3-08-0084-30	64651001		77000220	CO-100
<b>PRESSURE GAUGES</b>								
CMG048	PRESSURE GAUGE (160 PSI)	60011	PCA70400				77005012	CPG-250
CMG049	PRESSURE GAUGE (300 PSI) 1/4 MPT bottom mount	No OEM Part # Available	No OEM Part # Available	No OEM Part # Available	No OEM Part # Available	No OEM Part # Available	No OEM Part # Available	No OEM Part # Available
CMG050	PRESSURE GAUGE (230 PSI)					JA5130000		
<b>PRESSURE SWITCHES</b>								
CMS051	PRESSURE SWITCH		ECS10445					
CMS052	PRESSURE SWITCH		ECS10455					
CMS053	PRESSURE SWITCH							PCS-3
CMS054	PRESSURE SWITCH					JA5074800		
CMS055	PRESSURE SWITCH					JA5075200		
CMS056	PRESSURE SWITCH	85465						
CMS057	PRESSURE SWITCH	60016						
RPO303	O-RING (12/pkg)					No OEM Part # Available		
RPT670	TUBING (6mm OD Black Poly.) (Sold by the foot)					No OEM Part # Available		
<b>PURGE FILTERS &amp; MUFFLERS</b>								
CMF012	FOAM INSERT/PURGE FILTER							FA-100
CMM017	PURGE MUFFLER	80330						AS-250
CMM023	PURGE MUFFLER							PM-500
<b>PRESSURE RELIEF VALVES, SAFETY VALVES &amp; UNLOADER VALVE</b>								
CMV059	PRESSURE RELIEF VALVE	No OEM Part # Available	PVV05526	No OEM Part # Available				
CMV060	PRESSURE RELIEF VALVE		No OEM Part # Available	No OEM Part # Available				No OEM Part # Available
CMV046	SAFETY VALVE (125 PSI)	60017	PW50560	3-08-0813-00			77005020	POVA-100
CMV047	SAFETY VALVE (135 PSI)					JA5417000		
CMV058	UNLOADER VALVE					JA6973300		

