



Model: Century Plus System Handpiece Control Block (OEM Part #38.0540.00)

## New parts to fit A-dec Century Plus Handpiece Control Block!

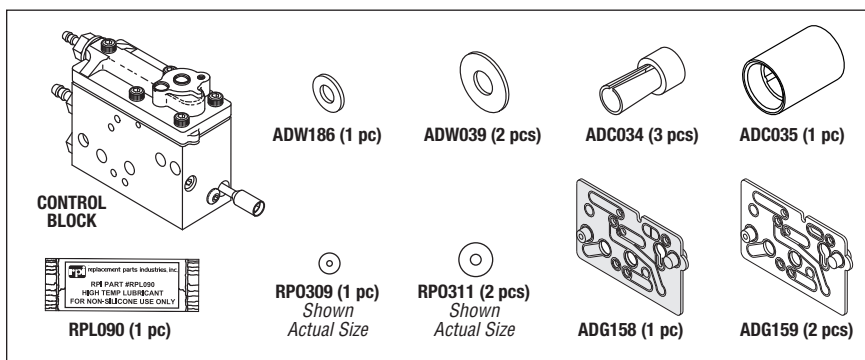


**Control Block  
Now Available!**

**RPI Part #ADK170  
OEM Part #38.0540.00**

### HANDPIECE CONTROL BLOCK

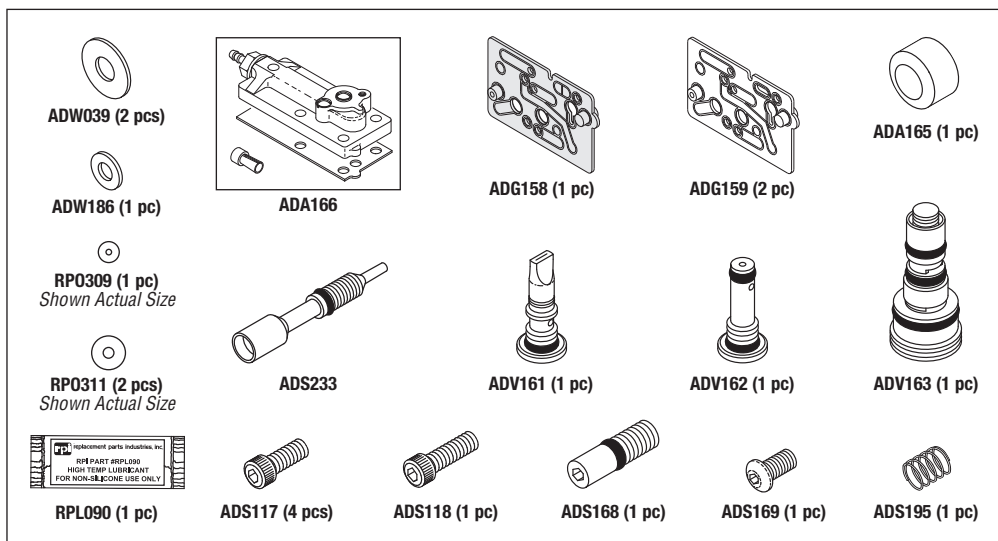
- Material: Nickel plated brass
  - Includes all parts as shown
  - Also available: Control Block Service Kit (RPI Part #ADK164) and Control Block Service Kit (Major) (RPI Part #ADK190)
- Fits:** Handpiece Control Block to fit Century Plus



**RPI Part #ADK164  
OEM Part #38.0537.01**

### CONTROL BLOCK SERVICE KIT

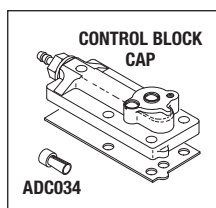
- Includes all parts as shown
  - All parts also sold separately
  - Also available: Handpiece Control Block (RPI Part #ADK170) and Control Block Kit (Major) (RPI Part #ADK190)
- Fits:** Handpiece Control Block to fit Century Plus



**RPI Part #ADA166  
OEM Part #38.0546.00**

### CONTROL BLOCK CAP ASSY

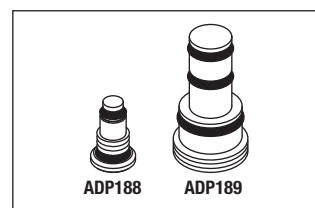
- Material: Nickel plated brass
  - Includes all parts as shown
  - Also included in: Control Block Service Kit (RPI Part #ADK164) and Control Block Kit (Major) (RPI Part #ADK190)
- Fits:** Handpiece Control Block to fit Century Plus



**RPI Part #ADK187  
OEM Part #38.0648.00**

### DRY BLOCK KIT

- Material: Brass cartridges with black tops
  - Includes all parts as shown
  - Replaces: Cartridge (Water Valve) (RPI Part #ADV163) and Cartridge (Check Valve) (RPI Part #ADV161)
- Fits:** Handpiece Control Block to fit Century Plus



**RPI Part #ADA165  
OEM Part #38.0514.00**

### WATER VALVE ACTUATOR

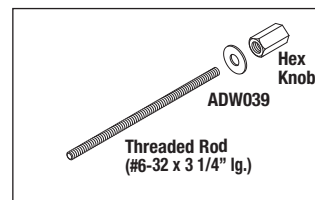
- 3 per package; Material: Plastic
  - Also included in: Control Block Service Kit (RPI Part #ADK164)
  - Also available: Control Block Service Kit (Major) (RPI Part #ADK190)
- Fits:** Handpiece Control Block to fit Century Plus



**RPI Part #ADK152  
OEM Part #38-0193-00**

### 3 BLOCK TIE BOLT KIT

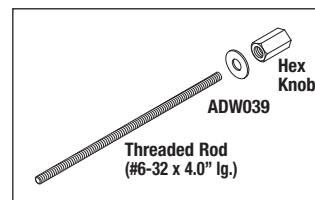
- Includes all parts as shown
- Fits:** Handpiece Control Block to fit Century Plus



**RPI Part #ADK167  
OEM Part #38-0194-01 & 38-0504-08**

### 4 BLOCK TIE BOLT KIT

- Includes all parts as shown
- Fits:** Handpiece Control Block to fit Century Plus



**replacement parts industries, inc.**

CALL (800) 221-9723 • FAX (818) 882-7028 • EMAIL [order@rpiparts.com](mailto:order@rpiparts.com) • WEBSITE [www.rpiparts.com](http://www.rpiparts.com)

The above parts are manufactured by Replacement Parts Industries, Inc. to fit A-dec equipment. All product names used in this document are trademarks or registered trademarks of their respective holders. Show 02/12 Updated 10/12

# Dental Equipment

Model: Century Plus System Handpiece Control Block (OEM Part #38.0540.00)



RPI Part #ADK190

OEM Part # (No OEM Part # Available)



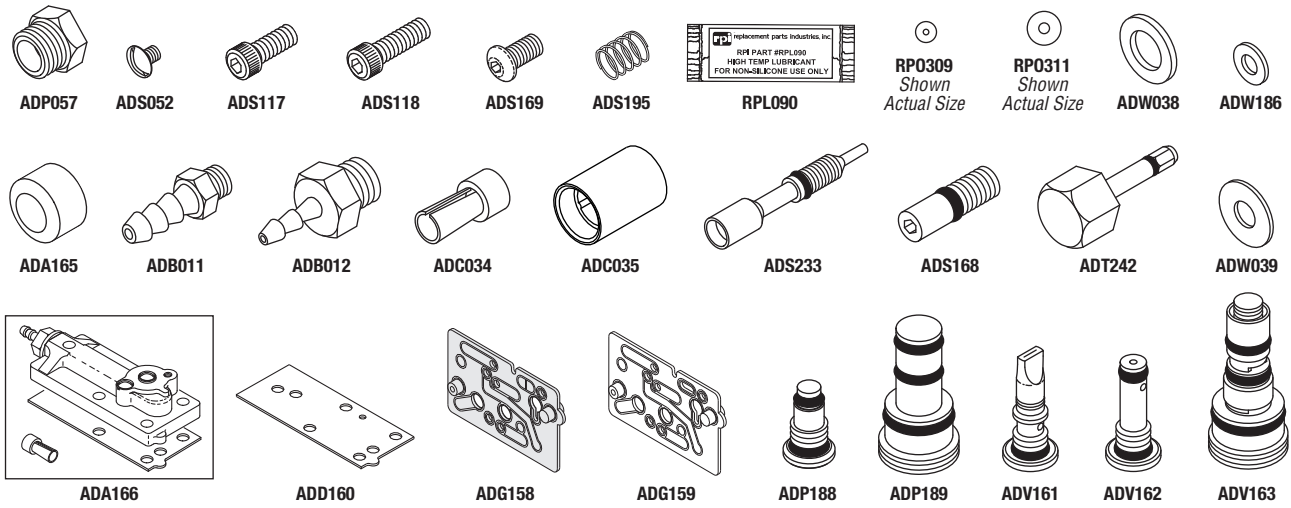
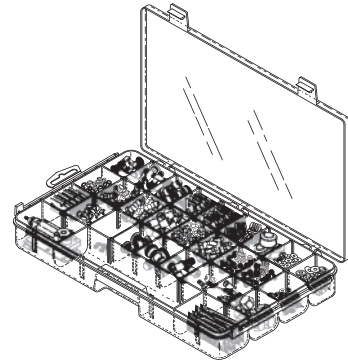
**CONTROL BLOCK KIT (MAJOR)**

- Kit includes Storage Case (RPI Part #RPC751)
- All parts also sold separately in quantities indicated below

**Fits:** Handpiece Control Block

**Models:** Handpiece Control Block - Century Plus

*With this Kit, you can easily replace Handpiece Control Block parts, or completely rebuild the Control Block. Save money and time with this Kit!*



RPI PART #	OEM PART #	DESCRIPTION	KIT QTY	REORDER QTY (PER PKG)
ADA165	38.0514.00	WATER VALVE ACTUATOR	3	3
ADA166	38.0546.00	CONTROL BLOCK CAP ASSEMBLY	1	1
ADB011	023-001-01	BARB	10	10
ADB012	023-004-01 & 023.004.03	BARB	10	10
ADC034	025.007.01	UNI-CLAMP	20	20
ADC035	025-015-01	SLEEVE CLAMP	20	20
ADD160	38-0519-01	DIAPHRAGM	10	10
ADG158	38-0550-00	RED GASKET	5	5
ADG159	38-0507-00	CLEAR GASKET	10	10
ADP057	021-016-01 & 021.016.00	HEX PLUG	10	10
ADP188	38.0646.00 & 38.0648.00 (Kit)	PLUG (CHECK VALVE)	3	3
ADP189	38.0647.00 & 38.0648.00 (Kit)	PLUG (WATER VALVE)	3	3
ADS052	001-002-00	TRUSS HEAD SLOTTED SCREW	10	10
ADS117	001-024-00	SOCKET HEAD CAP SCREW	25	25
ADS118	001-021-00	SOCKET HEAD CAP SCREW	25	25
ADS168	38.0510.00	STEM (DRIVE AIR ADJ.)	3	3
ADS169	002-118-00	BUTTON HEAD CAP SCREW	5	5
ADS195	013-021-00	COMPRESSION SPRING	10	10
ADS233	38.0516.00	STEM (WATER FLOW ADJ.)	4	1
ADT242	38.1808.01 & 98.0867.02	STEM ADJUSTMENT TOOL	5	5
ADV161	38-0518-00	CARTRIDGE (CHECK VALVE)	4	3
ADV162	38-0517-00	CARTRIDGE (AIR BLEED VALVE)	4	3
ADV163	38-0520-00	CARTRIDGE (WATER VALVE)	4	3
ADW038	004-005-00	FLAT WASHER	50	50
ADW039	004-036-00	FLAT WASHER	15	15
ADW186	004-078-00	FLAT WASHER	5	5
RPL090	98.0090.01	HIGH TEMP LUBRICANT	5	5
RPO309	030-001-00	O-RING	12	12
RPO311	030-003-00	O-RING	12	12